

Pure retractable roof system

The PURE retractable roof system allows a flexible integration solution between existing timber or steel structures with a operable architectural roof to allow outdoor areas to be used in any weather conditions. The system offers a wind rating up to Beaufort class 11 (up to 117km/h) and is designed to stand up to any weather conditions rain, hail or shine.

The system is manufactured to size using high grade 6063 extruded aluminium profiles finished with thermosetting powder coating which provides superior overall performance for exterior product applications. All bolts, screws and pins are high grade stainless steel to ensure extended system life.

The PURE rafter profiles (54mm x 135mm) have been designed with unique water guard side channels for ease of attachment to any structure and allow for projections up to 10m in a single system. The width of the system is site specific and available in any size up to 13m. Overall the PURE can offer up to 130sqm of protection at the touch of a button but linking multiple systems is also possible and made easy by our patented storm channel joining system that ensures 100% waterproof join every time.

Remote controlled motorisation is provided by utilising European technology through a custom built direct drive motor system to ensure smooth and quick operation at 26RPM. The optional hi powered LED-TEC lighting system provides a practical touch of class and when coupled with a remote dimming controller allows the user to change the mood to suit the surrounding environment.

The heart of the system is driven by multiple Suntech F3 eight wheel slider carriages (each F3 slider carriage has a load limit of 600kgs) that incorporates triple layer barrier system and works in conjunction with a timing belt that has been reinforced with multiple internal stainless steel cables to provide a pulling strength of over 966kg. It's this tension that is applied to the fabric membrane to allow an angle of 6 degrees fall possible and ensure all water drains away.

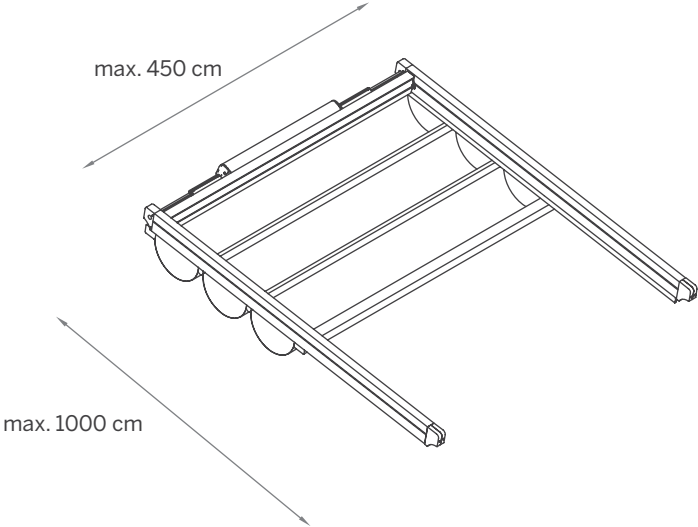
The fire rated and 100% waterproof architectural membrane is available in a range of colours in both opaque and transparent that provides maximum stability and resistance to temperature, moisture and dirt. It does not shrink or bag, and the acrylic top coating makes it very easy to clean for years to come. When not in use the fabric is neatly retracted under the systems hood to provide protection from the elements when not required.

To ensure the highest level of protection Suntech systems focus on all the details, this is why all Suntech systems come standard finished with Stormguard soft touch edge seal on all parameters. Stormguard provides the ultimate protection against rain and draught intrusion around the outside of the system and is only available on our systems. Stormguards soft touch edge seal is produced from an extra soft & flexible rubber to ensure the best possible protection from the elements

Pure

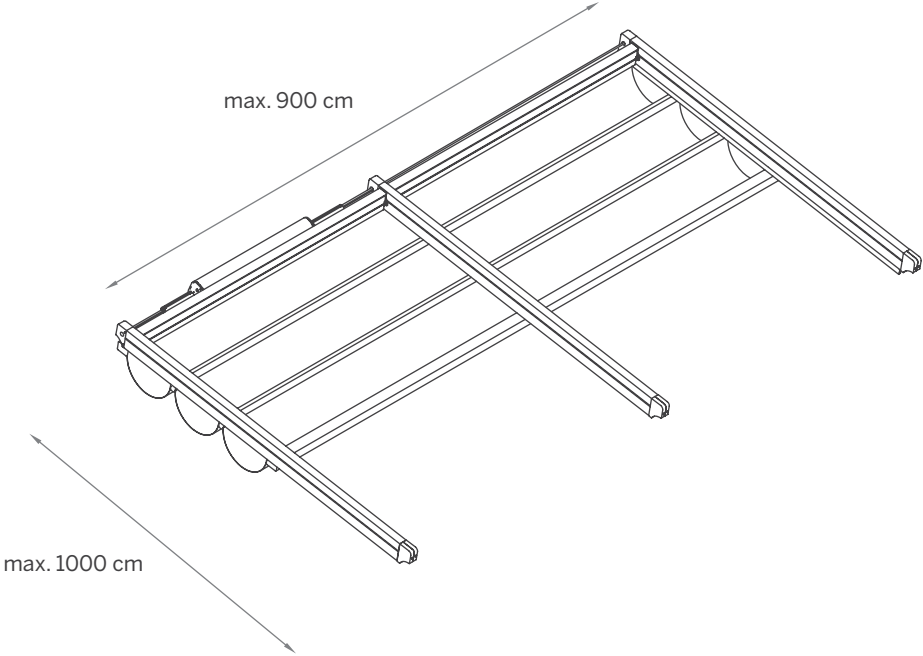
One Module

200 cm > 450 cm
One Module with one motor & 2 rafters



Two Modules

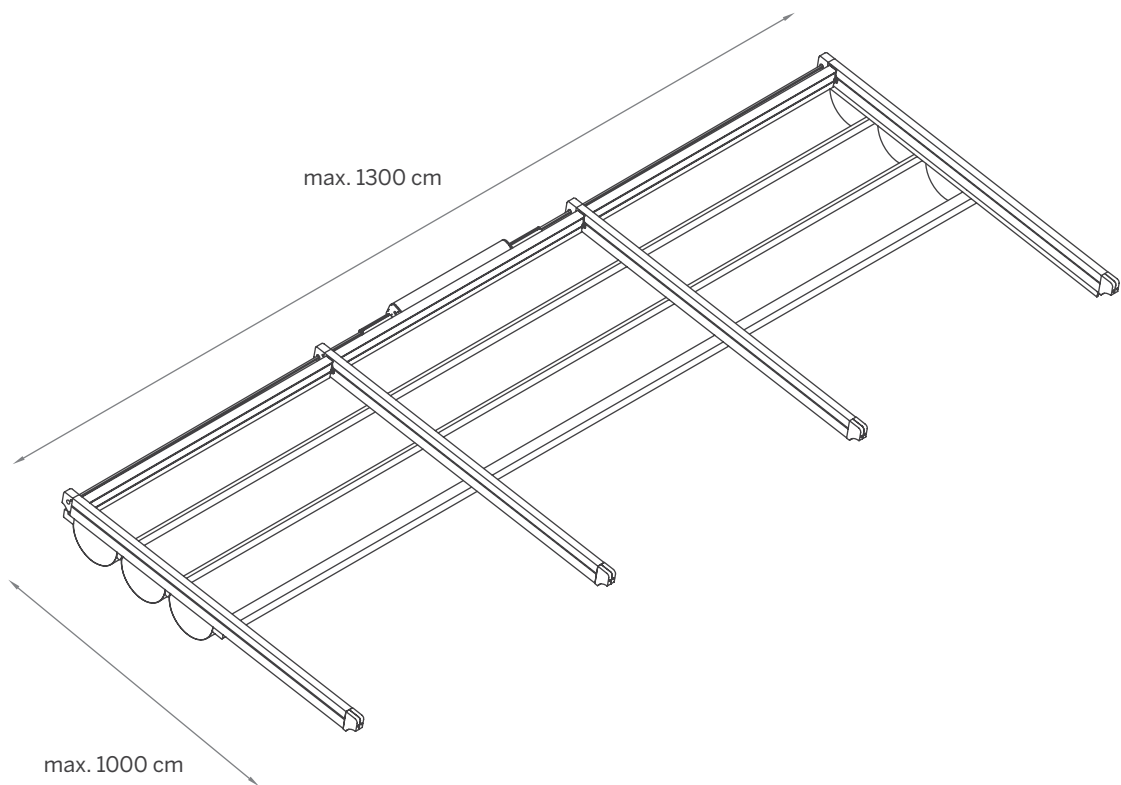
450 cm > 900 cm
Two Modules with one motor & 3 rafters



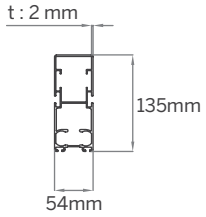
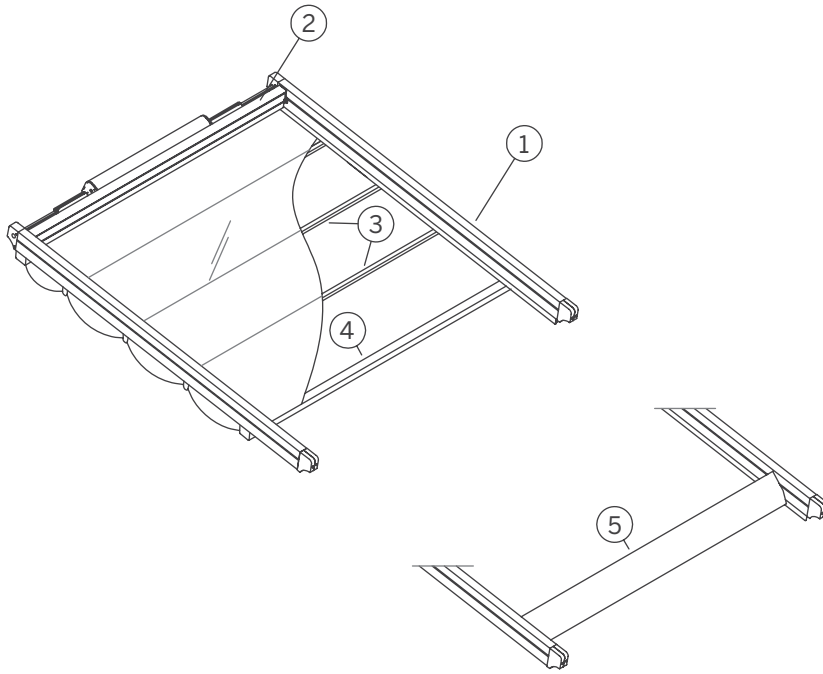
Three Modules

900 cm > 1300 cm

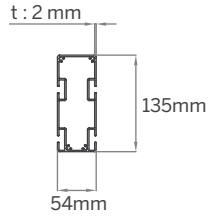
Three Modules with one motor & 4 rafters



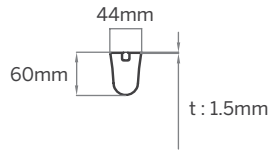
Pure



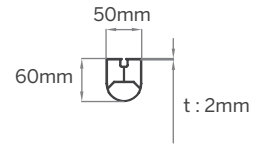
① Rafter



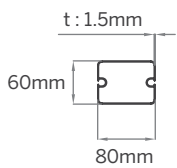
② Motor Support



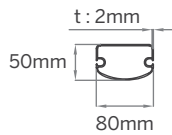
③ Fabric Support (Standart)



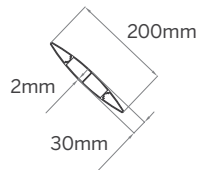
③ Fabric Support (HDD Lux)



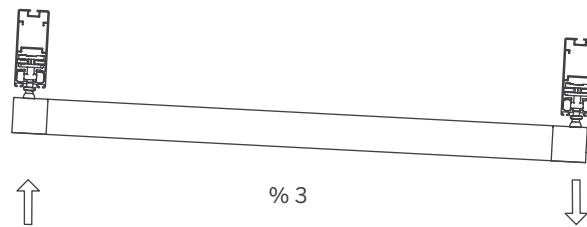
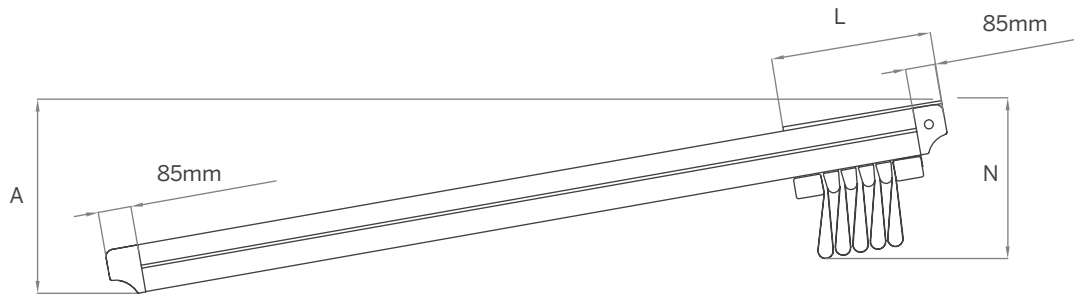
④ Puller Profile (Standart)



④ Puller Profile (HDD Lux)



⑤ Aerofoil Louvre



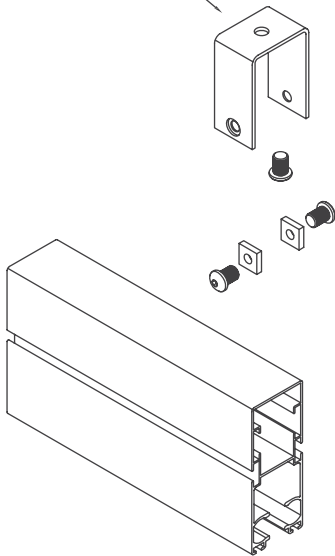
Pure

	Fabric Height	Hood	Fall	Fab.Sup.Profiles
	(N) mm	(L) mm	(A) mm	pc
300	364	558	496	7
350	364	613	557	8
400	364	668	619	9
450	364	778	680	11
500	364	833	742	12
550	364	888	803	13
600	364	943	864	14
650	364	998	915	15
700	364	1053	966	16
750	364	1108	1017	17
800	364	1163	1068	18
850	364	1273	1170	20
900	364	1328	1221	21
950	364	1383	1272	22
1000	364	1438	1323	23

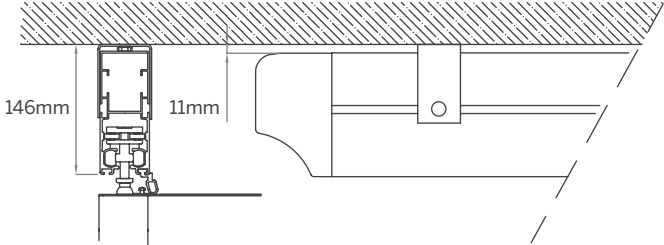
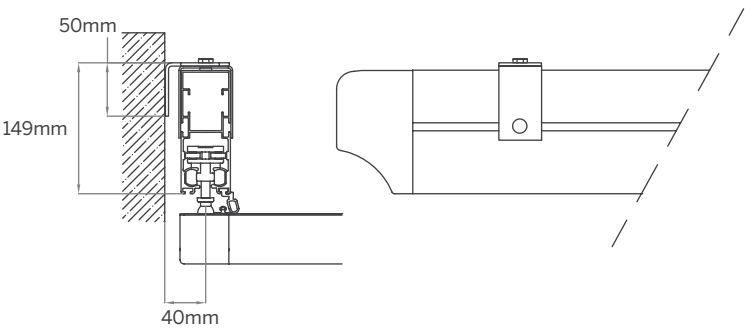
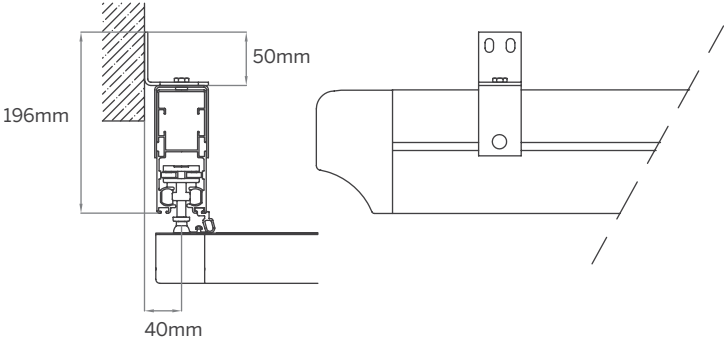
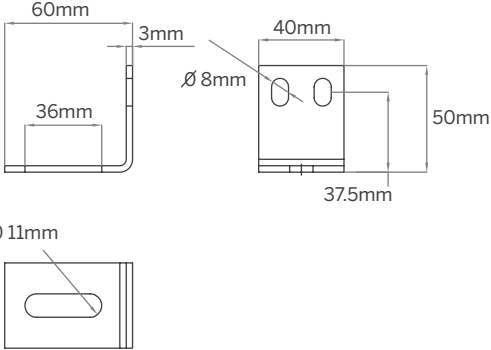
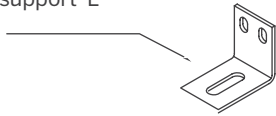
Projection (P) cm

Pure

Standart hang support

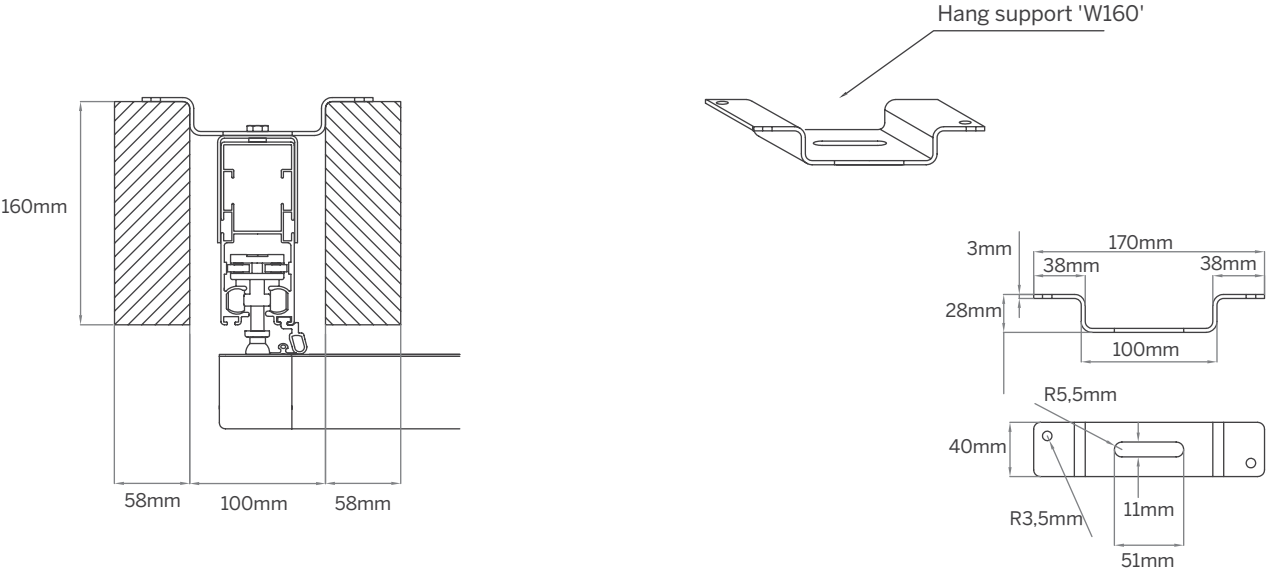


Hang support 'L'

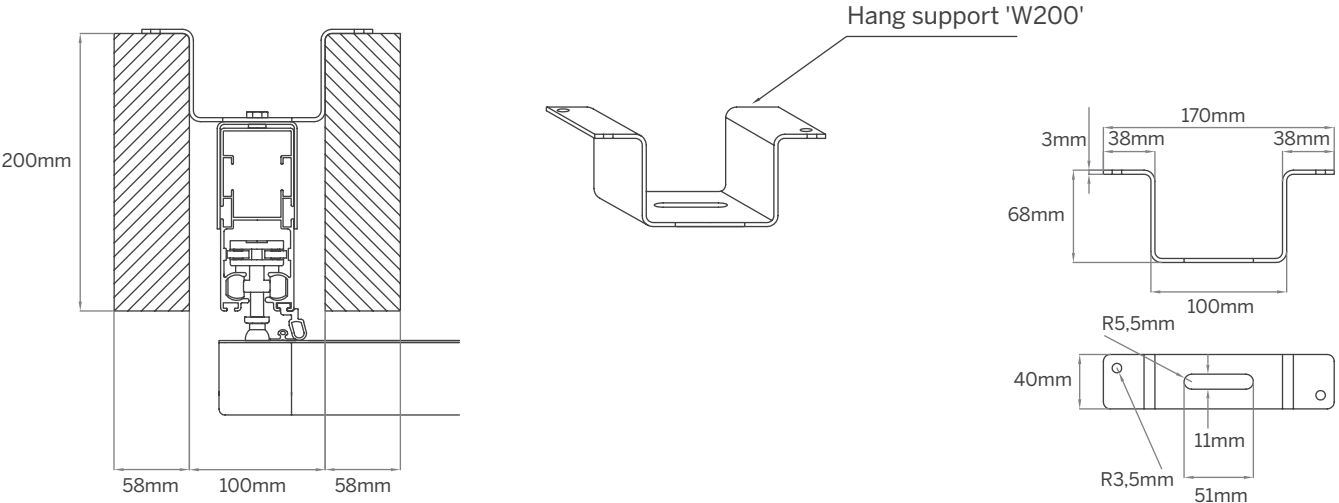


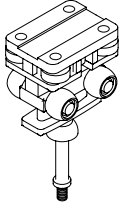
Installation to an existing timber structure

Up to 700cm projection, 'Hang support W160' is used



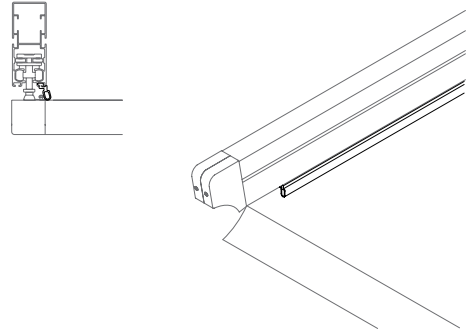
700-1000cm projection, 'Hang support W200' is used





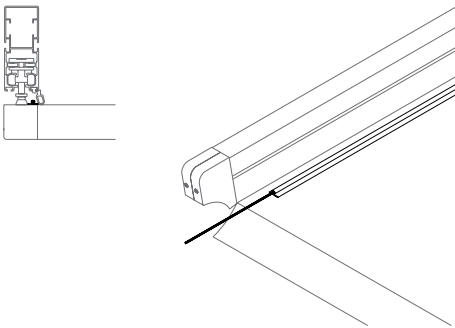
F3 Eight wheel slider

Four horizontal & four vertical rollers working together for perfectly smooth operation every time. The F3 eight wheel system is proven to remove the jamming issue that occurs with the 4 wheel system and can take loads of upto 600KG.



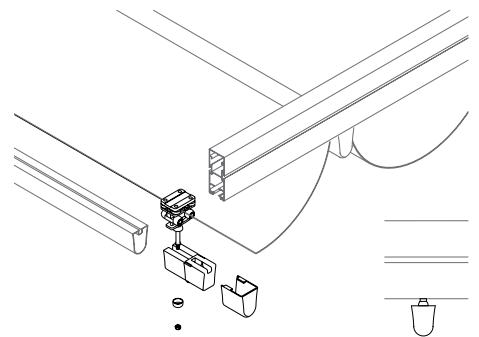
Rafter stormguard edge seal

The rafter Stormguard edge seal stops water from dripping over the side of the system by providing a soft cushioning barrier along the side of the system.



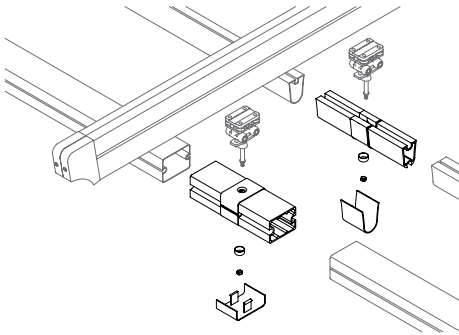
Fabric anti-drip edge cord with electrical cable

The fabric anti-drip edge cord with integrated lighting electrical cable works in conjunction with the Stormguard edge seal to prevent any water leaks over the side of the system.



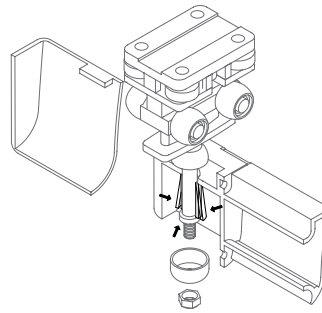
F3 slider and fabric profile assembly

The system has been designed for ease of assembly to save time on installations and reduce the number of staff required.



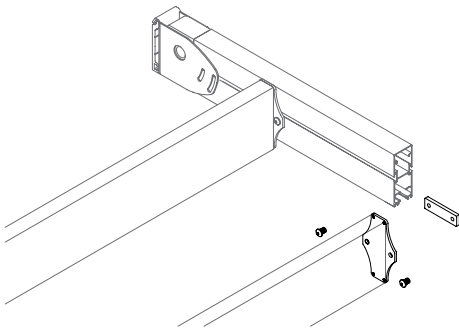
Easy clip intermediate joints (for 2 & 3 module systems)

The Easy clip intermediate joints have been designed for ease of site assembly to save time and reduce the number of staff required.



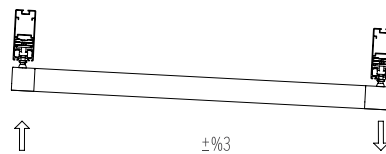
F3 slider easy clip installation

The F3 system has been designed for ease of use, to save time on installations and reduce the number of staff required. Each F3 slider can take loads of upto 600KG once in place.



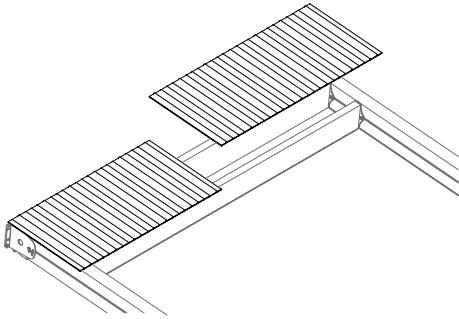
Motorbox support & hood support profile easy installation

Each support profile is easy to install and simple to adjust at the time of installation.



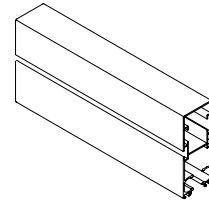
Suntech side fall

System detail for side fall installations.



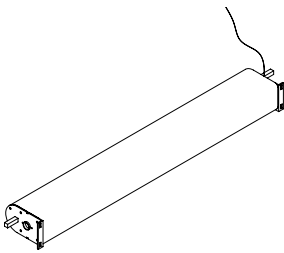
Hood profile sheets

Suntech's hood profile sheets provide an attractive covering solution for the system when not in use. The low profile aesthetic design offer added protection to the system with a chic touch.



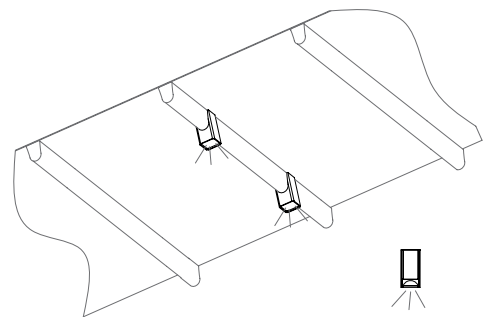
Rafter profile with water guard side channels

The Suntech rafter profiles are designed with water guard side channels for easy installation and to prevent water from entering.



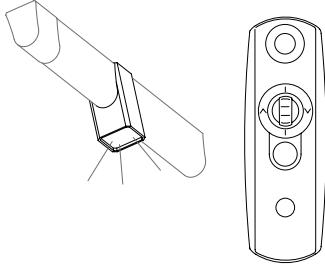
Compact 26rpm direct drive motor box

The Suntech direct drive motor system is a quick and efficient system that drives all conveyor rafters at the same time. The low profile design also allows the fabric to be stored underneath the motor which saves additional space.



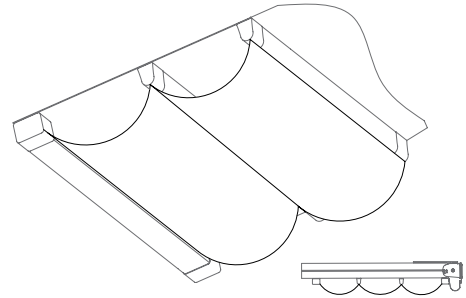
LED-TEC high powered lighting

LED-TEC lighting is a integrated lighting solution that can be added to any Suntech system.



LED-TEC dimmer setup

LED-TEC dimmer lighting is an integrated lighting solution that can be added to any Suntech system.

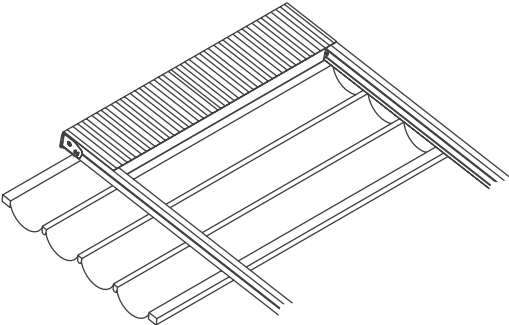


Decorative fabric under layer

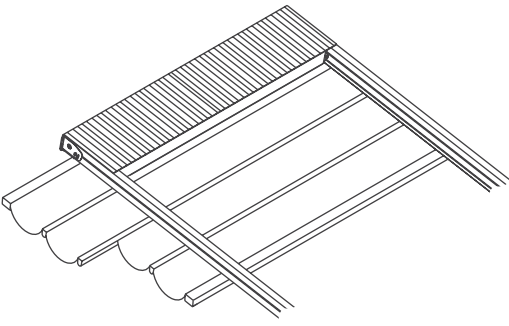
The second decorative fabric under layer of fabric can provide an elegant touch of class.

Pure

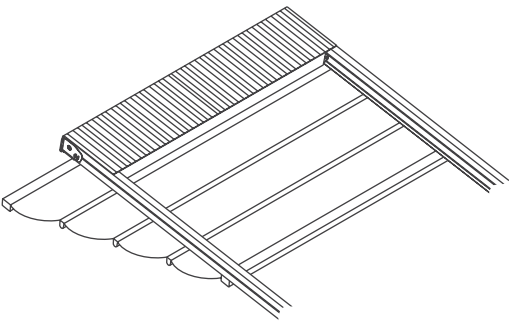
type I



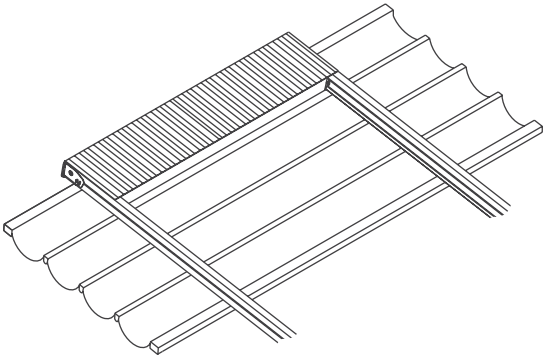
type II



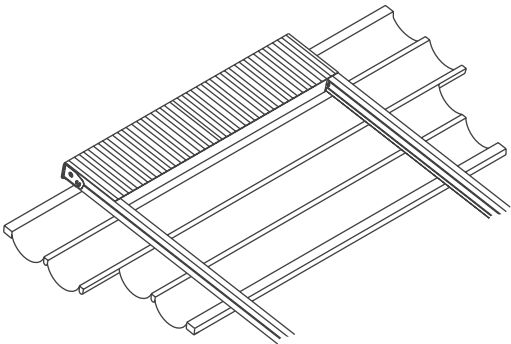
type III



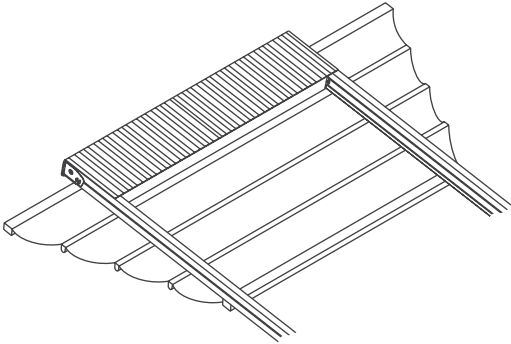
type IV



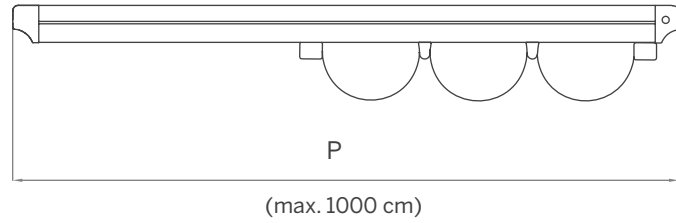
type V



type VI

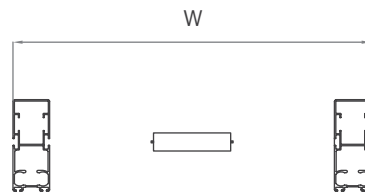


Each system is available with an optional overhang to allow the covered area to protrude past the rafter profile. Site specific overhang solutions such as stepped or wedge shapes are also an effective way to get maximum coverage for your area.



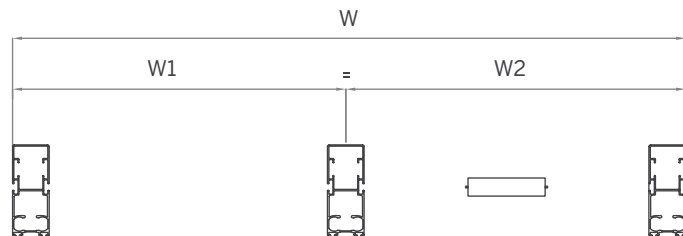
One Module

200 cm > 450 cm
One Module with one motor & 2 rafters



Two Modules

450 cm > 900 cm
Two Modules with one motor & 3 rafters



Three Modules

900 cm > 1300 cm
Three Modules with one motor & 4 rafters

